



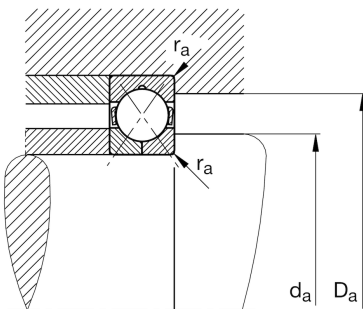
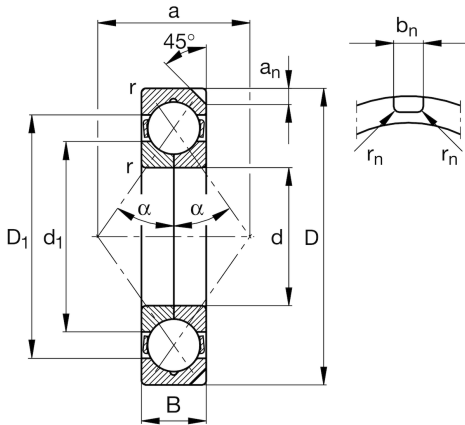
FAG

## QJ220-N2-MPA-C3

Four-point contact bearing

Schaeffler ID:  
0167423460030Four point contact bearing QJ2..-N2-MPA,  
holding grooves, solid brass cage

## Technical information



## Main Dimensions &amp; Performance Data

d	100 mm	Bore diameter
D	180 mm	Outside diameter
B	34 mm	Width
$C_r$	224.000 N	Basic dynamic load rating, radial
$C_{0r}$	241.000 N	Basic static load rating, radial
$C_{ur}$	11.500 N	Fatigue load limit, radial
$n_G$	6.600 1/min	Limiting speed
$n_{gr}$	3.550 1/min	Reference speed
	3,89 kg	Weight

## Dimensions

$r_{min}$	2,1 mm	Minimum chamfer dimension
$D_1$	153,6 mm	Shoulder diameter outer ring
$d_1$	127,7 mm	Shoulder diameter inner ring
a	98 mm	Distance between the apices of the pressure cones
$a_n$	10,1 mm	Height retaining slot
$b_n$	8,5 mm	Width retaining slot
$r_n$	2 mm	Radius retaining slot
	45 °	Angle retaining slot
$\alpha$	35 °	Contact angle

## Mounting dimensions

$d_{a min}$	112 mm	Minimum diameter shaft shoulder
$D_{a max}$	168 mm	Maximum diameter of housing shoulder
$r_{a max}$	2,1 mm	Maximum fillet radius

## Temperature range

$T_{min}$	-30 °C	Operating temperature min.
$T_{max}$	150 °C	Operating temperature max.